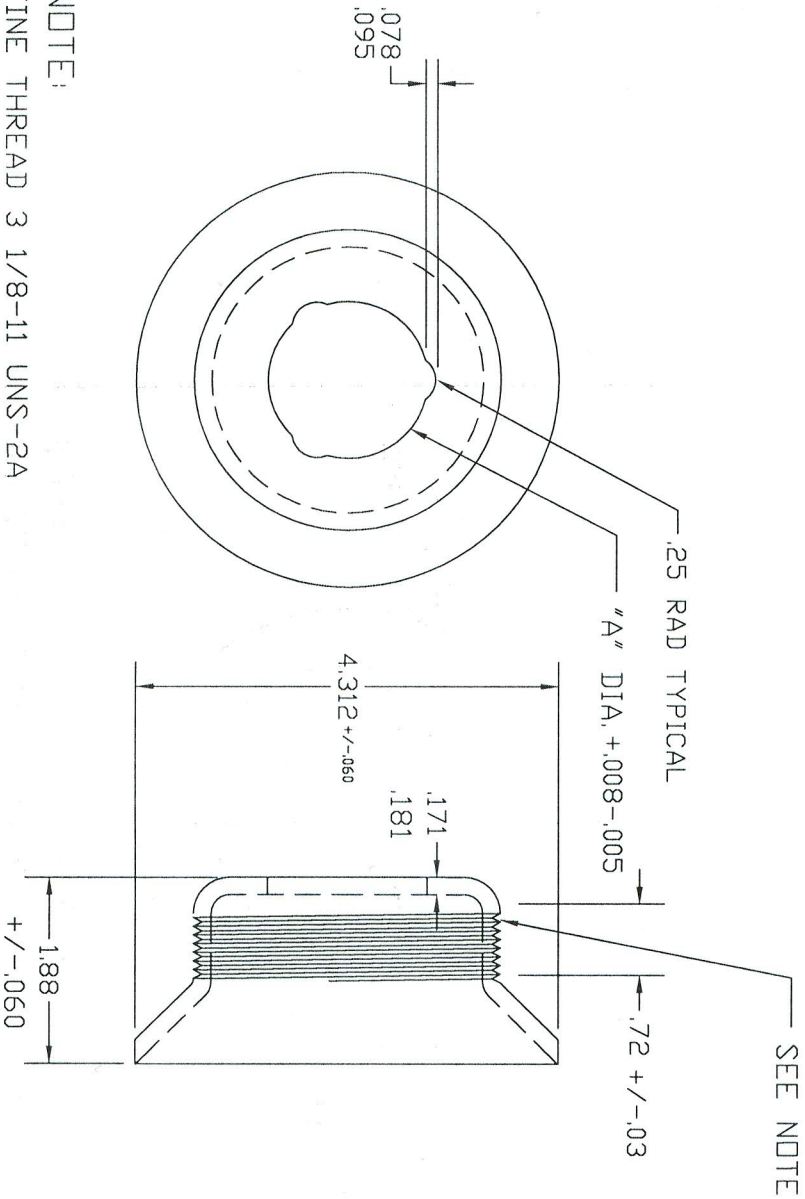




# CR INDUSTRIES INC.

5757 S. Pennsylvania Ave Cudahy, Wisconsin 53110  
 Phone: (414) 744-3996 FAX: (414) 769-8570  
 Email: [crind@crindustriesinc.com](mailto:crind@crindustriesinc.com)

PLATING: COMMERCIAL ZINC WHEN SPECIFIED  
 POWDER COAT: COLOR SPECIFIED  
 MATERIAL: HRP&D LOW CARBON STEEL  
 EMBOSSED LETTERS .375 TALL, .015 MIN HGT



PART	"A"
1	1.125
2	1.250
3	1.375
4	1.531
5	1.625
6	1.812
7	1.772
8	2.000
9	2.125
10	1.750
11	1.875
12	1.690

**NOTE:**

FINE THREAD 3 1/8-11 UNS-2A  
 MAJOR DIA. 3.105 MIN 3.122 MAX.  
 PITCH DIA. 3.0593 MIN 3.0643 MAX.

COARSE THREAD 3 1/8-7 UNS-2A  
 MAJOR DIA. 3.105 MIN 3.122 MAX.  
 PITCH DIA. 3.0192 MIN 3.0292 MAX.

REVISION	DATE	BY	APP
REDRAWN	10/18/96		
REVISION	1/1/00		

DWG. 5070 NECKRING